

W-E404 Series Transverse Extensometers

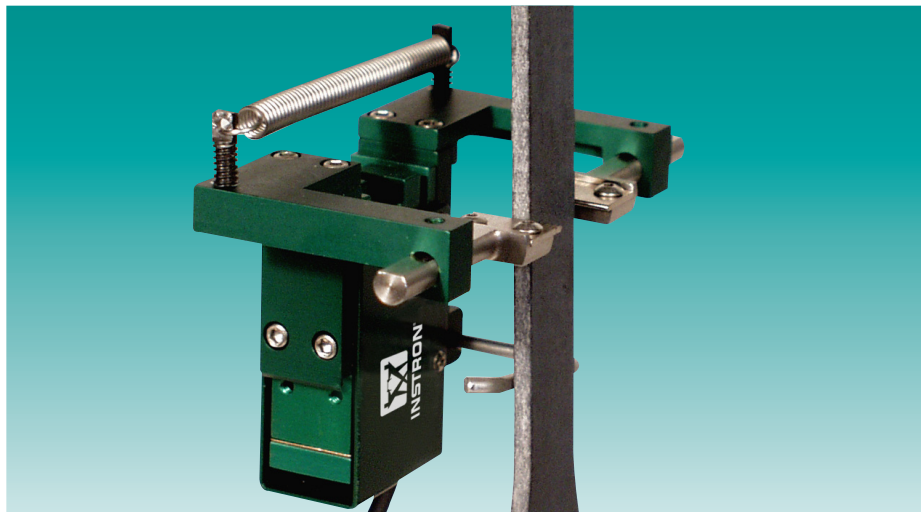
Catalog Numbers W-E404-A, W-E404-C, W-E404-E, W-E404-F

Features

- Rugged dual-flexure design for strength and improved performance
- Meets or exceeds ASTM E 83 class B-1 and ISO 9513 class 0.5
- Positive and negative displacements
- Easily replaced knife edges
- Easy to mount, with integral springs to keep the extensometer on the sample
- Suitable for round or flat specimens
- Rugged construction for operation through specimen failure

Description

W-E404 Series Transverse Extensometers are designed for measuring transverse displacements. They are self-supporting on the test specimen and will work on any width or diameter specimen from 0 to 25 mm (1 in). They are commonly used for the measurement of Poisson's ratio and transverse strain on anisotropic materials such as composites. They are frequently used simultaneously with axial extensometers. These units easily clip on to the specimen and are held in place with an integral spring. The rounded contact edges help maintain the position on the specimen.



▲ W-E404 Series Transverse Extensometer

Principle of Operation

The specimen displacement is measured at a single point using a high-accuracy, dual flexure strain-gauge sensor designed for strength and improved performance. The design makes these units very durable and they may be left on the specimen through specimen failure.

The extensometers are easy to mount and feature integral springs that hold the unit on the test specimen. An adjustable specimen contact bar below the knife edges provides good mechanical stability for the extensometer body.

Application Range

- Static and dynamic tests use up to 5 Hz
- Suitable for tension, compression and cyclic tests on a wide range of materials including metals, composites and plastics

W-E404 Series Transverse Extensometers

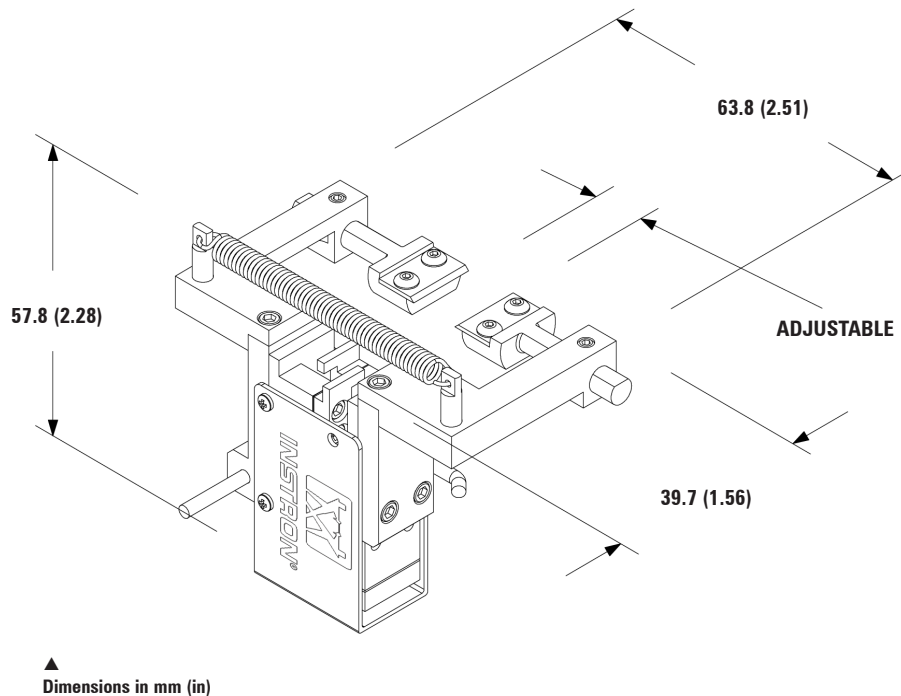
Catalog Numbers W-E404-A, W-E404-C, W-E404-E, W-E404-F

Specifications

Catalog Number	W-E404-A	W-E404-C	W-E404-E	W-E404-F
Measurement Range	±0.02 in	±0.1 in	±0.5 mm	±2.5 mm

General Specifications

Temperature Range	-40° C to +100° C (-40° F to +212° F)
Specimen Size	Up to 25 mm (1 in) width or diameter
Cable Length	2.5 m (8 ft)



Worldwide Headquarters
825 University Ave, Norwood, MA 02062-2643, USA
Tel: +1 800 564 8378 or +1 781 575 5000 Fax: +1 781 575 5725

Instron Industrial Products
900 Liberty Street, Grove City, PA 16127-9969, USA
Tel: +1 724 458 9610 Fax: +1 724 478 9614

European Headquarters
Coronation Road, High Wycombe, Bucks HP12 3SY, United Kingdom
Tel: +44 1494 464646 Fax: +44 1494 456123

www.instron.com

Instron is a registered trademark of Instron. Other names, logos, icons and marks identifying Instron products and services referenced herein are trademarks of Instron and may not be used without the prior written permission of Instron. Other product and company names listed are trademarks or trade names of their respective companies. Copyright © 2007 Instron. All rights reserved. All of the specifications shown in this document are subject to change without notice.